



RIGGING INNOVATIONS
 P.O. BOX 86
 ELOY, AZ 85131, USA
 520-466-2655/520-466-2656 (FAX)
 WWW.RIGGINGINNOVATIONS.COM

CURV 2.0 ORDER FORM



Fabric	Cordura	
Stainless Steel	Full	
Harness Style	Multi-Flex (Hip & Chest Rings)	
Back Strap	Inset	
Chest Strap	<input type="checkbox"/> Ty-17 1"	<input type="checkbox"/> Ty-8 2"
Harness Ring	Mini	
Main Risers	Ty-17 1"	
Harness Color		
Leg Hardware	Thread thru	
Leg Pads	Double wide	
Deployment	<input type="checkbox"/> BOC	<input type="checkbox"/> POP
Pilotchute/ZP	<input type="checkbox"/> 26"	<input type="checkbox"/> 30"
Bridle	Kill-line	
Handle	<input type="checkbox"/> Hackey <input type="checkbox"/> Monkey Fist <input type="checkbox"/> Freerfly	
	Color:	
Reserve Ripcord	<input type="checkbox"/> Metal <input type="checkbox"/> Pillow	Color:
Release Handle	Color:	
RSL	<input type="checkbox"/> Lanyard	<input type="checkbox"/> Setup - no lanyard
AAD setup	<input type="checkbox"/> Cypres 2 <input type="checkbox"/> Vigil 2 / 2+ <input type="checkbox"/> Mars M2	
CONTAINER COLORS		
Trim Tape Color		
Reserve Top Flap (1)		
Center-Flap (2)		
Main Side (3)		
Main Side Flaps (4)		
Reserve Side Flaps (5)		
Main Closing Flap (6)		
Monogram Flaps (7)		
Leg Pads (8)		
Backpad (9)		
Pin Stripe #3 (side profile)		
Monogram \$ cost option	<input type="checkbox"/> Release Handle	<input type="checkbox"/> Ripcord Pillow
Color:		
Text:		
Reserve Canopy Type		
<input type="checkbox"/> Spectra	<input type="checkbox"/> Other _____	Year:
Main Canopy Type		
<input type="checkbox"/> Spectra	<input type="checkbox"/> HMA	<input type="checkbox"/> Vectran
		Year:

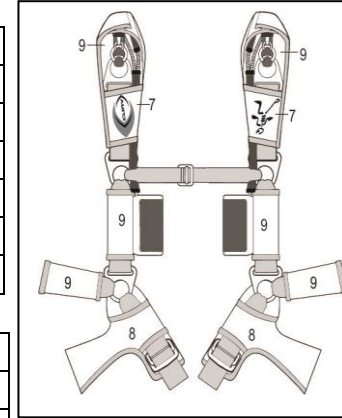
CUSTOMER INFORMATION				
Name:				
Address:				
City:				
State:		Zip Code:		
Country:		Day Phone:		
Email:				

CUSTOMER MEASUREMENTS: in cm

Sex	Height	Weight	Chest	Waist
Hip	Thigh	Inseam		

	Flap #3 LOGO COLORS			
	A:			
	B:			
	C:			
	D:			

OPTIONS FOR FLAP #2			
A:	B:	C:	D:

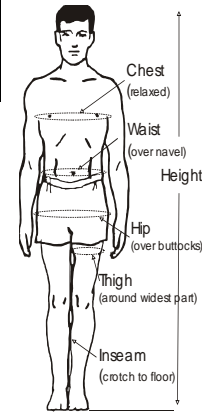


FLAP #7 RIGHT			
A:			
B:			
C:			
D:			
E:			

OPTIONS FOR FLAP #7 LEFT			
RIFF RAFF <input type="checkbox"/>	A:		
RI LOGO <input type="checkbox"/>	A:	B:	C:
WINGSUIT <input type="checkbox"/>	A:	B:	C:

Comments

PRICES SUBJECT TO CHANGE W/O NOTICE	
Curv (Fully loaded)	\$2999
MONOGRAM - Ripcord Pillow	\$30 <input type="checkbox"/>
MONOGRAM - Release Pillow	\$30 <input type="checkbox"/>
Magnetic Slider Stow	\$40 <input type="checkbox"/>
Wingsuit Mod	N/C <input type="checkbox"/>
Black Stainless Hardware	\$100 <input type="checkbox"/>
Mag-Stow deployment bag	\$110 <input type="checkbox"/>



OFFICE USE ONLY		DATE:	
Prod #:		Invoice #	

LP	LS	MLW	CH	HZ & SZ	YOKE	SIZE

DEALER